

# PRECISION BALANCES APP 3Y



**Component pan:** flat surface for big loads and openwork pan for reducing indication errors.



Additionally option: APP xx.3Y.B

**Communication interfaces**

- Ethernet 10/100 Mbps
- Wi-Fi 802.11 b,g,n,
- RS 232
- 2xUSB 2.0
- 4 in/out

Balances APP 3Y series are laboratory weighing instruments featuring 5,7" LCD colour touch panel which provides new possibilities of balance operation and presenting measurement results. Personalization of balance settings is carried out in extended user profiles. 3Y series comes standard with system of automatic internal adjustment. Level control is based on LevelSENSING system, RADWAG patented solution, which uses a system of an electronic level. Balances APP 3Y series enable online monitoring of ambient conditions through built-in sensors or an external ambient conditions module THB 3 series.

Large weighing pan 347 x 259 mm enables weighing loads with large dimensions. Balances with reading unit 10 mg feature a dedicated openwork weighing pan limiting influence of air movement onto the measurement result. APP 3Y series is successfully used in applications such as parts counting, differential weighing also in industrial conditions.

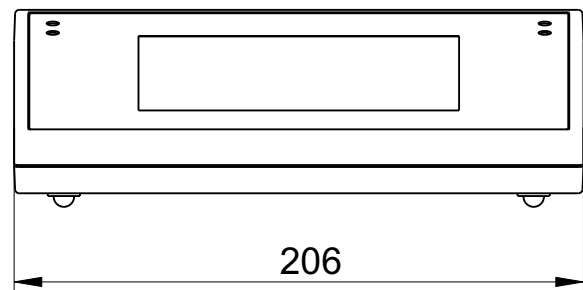
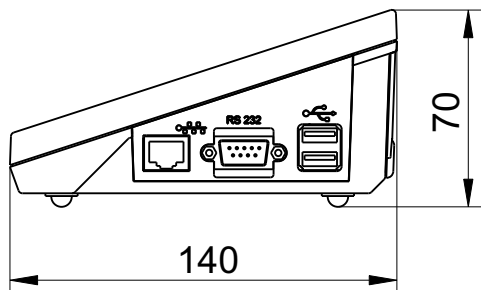
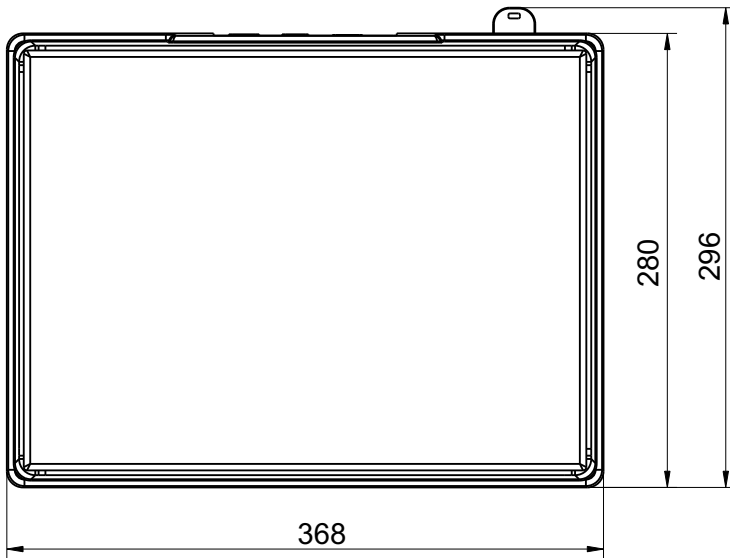
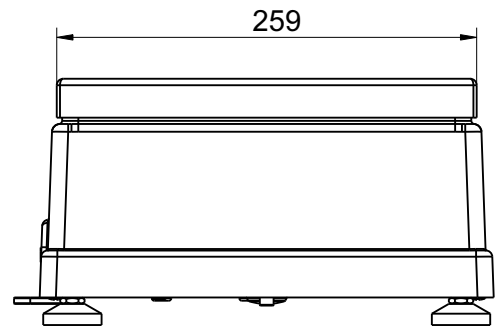
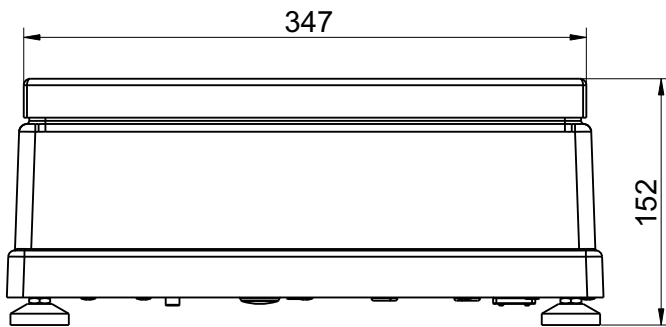
- Parts counting
- Dosing
- Checkweighing
- Formulation
- Percent deviations
- Statistics
- Animal weighing
- Differential weighing
- Density determination
- Statistical Quality Control
- Autotest (GLP, Filter)
- GLP procedures
- Infrared sensors
- Ambient conditions monitoring
- Newton unit measurement
- Replaceable units
- Mass for titrator

## Technical specification:

	APP 10.3Y <b>M</b>	APP 25.3Y <b>M</b>	APP 35.3Y <b>M</b>	APP 10/50.3Y -
Max capacity	10 kg	25 kg	35 kg	10 kg / 50 kg
Minimum load	0,5 g	5 g	5 g	5 g
Readability	0,01 g	0,1 g	0,1 g	0,1 g / 0,5 g
Tare range	-10 kg	-25 kg	-35 kg	-50 kg
Repeatability *	0,01 g	0,1 g	0,1 g	0,1 g / 0,5 g
Linearity	± 0,02 g	± 0,1 g	± 0,3 g	± 0,1 g / ± 0,5 g
Adjustment / Calibration	internal			
Pan size	347 × 259 mm			
Stabilization time	3 s	2 s	2 s	2 s
Sensitivity drift	2 ppm/°C in temperature +15 ° ÷ +35 °C			
Interface	2xUSB, 2xRS 232, 1xEthernet, Wi-Fi 802.11 b,g,n, 4 in / 4 out (digital)			
Power supply	13,5 ÷ 16 V DC / 2,1 A			
Display	5,7" touch screen			
Net weight / Gross weight	19,9 / 22,9 kg			
Packaging size	570 × 560 × 325 mm			

\* Repeatability is expressed as a standard deviation from 10 weighing cycles

## Dimensions:



## Additional equipment:

Antivibration table for laboratory balances	THB 3 ambient conditions module
Dot matrix Epson printer	Power adapter with battery and charger ZR-02
Label printer Citizen	Mass standard
Tare and "Print" foot button	Power loop module AP2-1 (wersja plastikowa)
PW-WIN computer software	Antistatic cable PA 1
RAD-KEY computer software	Bar code scanner
Additional LCD display "WD-5"	Cable RS 232 (scale, Epson , Citizen printer) "P0151"
PC USB keyboard	

## PARTNER CORPORATION

Sos. Chitilei, Nr.16, Sector 1, Bucuresti \* Tel/fax : 021 7955505 \* e-mail:office@partner.com.ro \* www.balante.ro