

Technical specification:

| | PS 6100.X2**** | PS 8100.X2**** | PS 10100.X2**** |
|--------------------------------|---|--------------------------------------|-----------------|
| Max capacity | 6100 g | 8100 g | 10100 g |
| Minimum load | 500 mg | 500 mg | 500 mg |
| Readability | 10 mg | 10 mg | 10 mg |
| Tare range | -6100 g | -8100 g | -10100 g |
| Repeatability * | 10 mg | 12 mg | 15 mg |
| Linearity | ±30 mg | ±30 mg | ±30 mg |
| Pan size | | 195×195 mm | |
| Working temperature ** | | +10 ÷ +40 °C | |
| Stabilization time | | 1,5 s | |
| Sensitivity drift | | 2 ppm/°C in temperature +10 ÷ +40 °C | |
| Minimum weight (USP) | | 10 g | |
| Minimum weight (U = 1%, k = 2) | | 1 g | |
| Interface | 2 × RS 232, USB-A, USB-B, Ethernet, Wireless module | | |
| Power supply | 12 ÷ 16 V DC / 350 mA | | |
| Adjustment/calibration | internal (automatic) | | |
| Display | 5" colour capacitive touchscreen | | |
| Net weight/Gross weight | 5,6 / 7,1 kg | 5,6 / 7,1 kg | 5,6 / 7,1 kg |
| Packaging size | 470×380×336 mm | | |

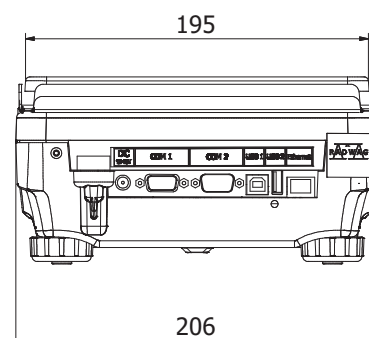
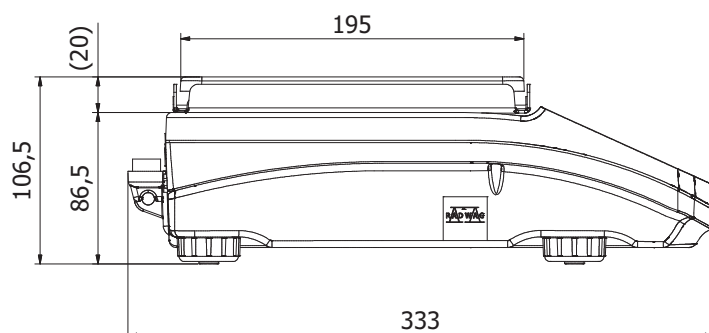
* Repeatability is expressed as a standard deviation from 10 weighing cycles.

** The balance retains parameters compliant with type approval certificate for temperature range +15° - +35° C

*** Balances available from 01.12.2016!

Dimensions:

PS 6100.X2 - PS 10100.X2



Accessories:

| | |
|---|--|
| Antivibration table for laboratory balances | Bar code scanner USB HID |
| Antivibration table SAL/STONE | Power loop output AP2-1 (plastic housing) |
| Impact printer Epson | Additional LCD display "WD-6" |
| Printer USB PCL | Power adapter with battery and charger ZR-02 |
| Density determination kit | Mass standard |
| Rack for under hook weighing | Draft shield (for balances featuring 128x128 weighing pan) |
| "Tare" or "Print" foot button | USB A- USB B cable (balance - computer, balance - PLC printer) |
| PC keyboard USB | Cable RS 232 (scale - computer) "P0108" |
| External USB memory (FAT files format) | Cable RS 232 (scale, Epson printer) "P0151" |
| Bar code scanner | "PW-WIN" computer software |
| | "RAD-KEY" computer software |

PARTNER CORPORATION

Sos. Chitilei, Nr.16, Sector 1, Bucuresti * Tel/fax : 021-7955505 * e-mail:office@partner.com.ro * www.balante.ro